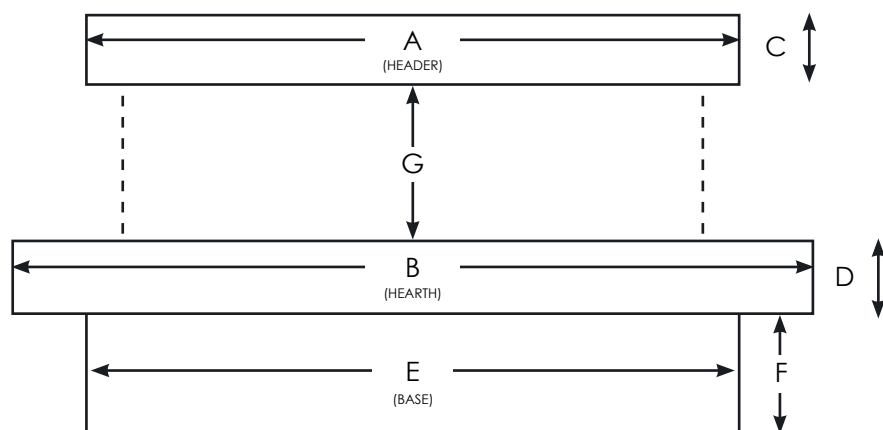
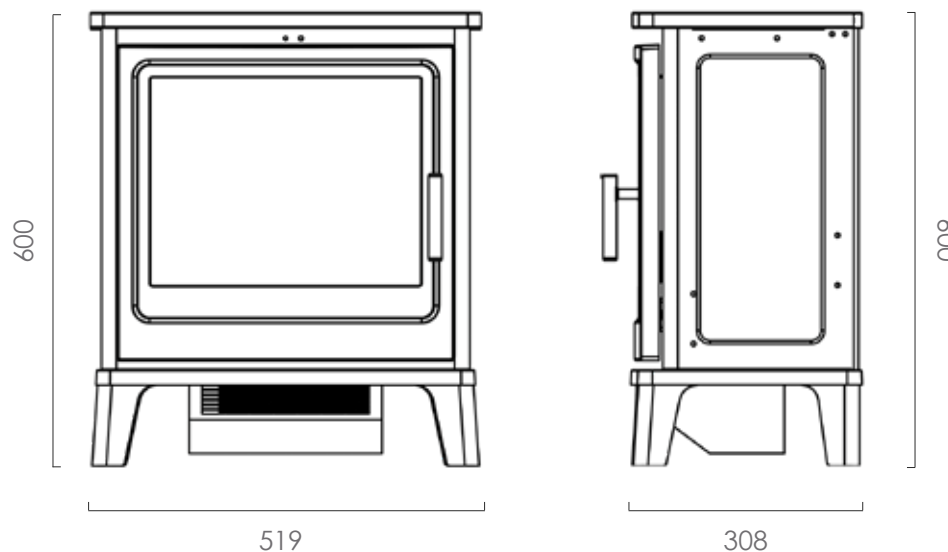


Sheringham Suites



Blackthorn eTronic Stove



| Sheringham Suite Dimensions | | | | | | | |
|--------------------------------|------|------|-----|-----|------|-----|-----|
| | A | B | C | D | E | F | G |
| Sheringham 75 | 1010 | 1350 | 110 | 125 | 1010 | 216 | 581 |
| Sheringham 100 | 1260 | 1600 | 110 | 125 | 1260 | 216 | 428 |
| Sheringham 125 | 1510 | 1850 | 110 | 125 | 1510 | 216 | 428 |
| Sheringham 150 | 1760 | 2100 | 110 | 125 | 1760 | 216 | 428 |
| Sheringham 800 eTronic | 1010 | 1350 | 110 | 125 | 1010 | 216 | 581 |
| Sheringham 1500 eTronic | 1760 | 2100 | 110 | 125 | 1760 | 216 | 428 |

Header Depth: 380mm (eTronic: 270)

Hearth Depth: 410mm (eTronic: 300)

Base Depth: 360mm (eTronic: 250)

the solution warranty

All solution fires come with a standard 1 year parts warranty extendable to 2 years on registration. Any fire purchased outside of our authorised dealer network will carry a 1 year non-extendable warranty.

To activate your extended warranty, please register your fire online at www.solutionfires.co.uk/warranty within one month of the purchase date. Any fires registered after this period will carry a 1 year non-extendable warranty. Please visit our website for full terms and conditions and to upgrade to our 5 year platinum warranty.