



## Instruction Manual

eTronic S53 (Blackthorn Stove) (Black)  
eTronic S67 (Blackthorn Stove) (Warm White)

**This product is only suitable for well insulated spaces or occasional use.**

To be left with the customer after demonstrating the features of the S53 electric stove.

The instructions in this manual must be followed to ensure safe operation of the appliance. It should be noted that the requirements and this publication may be superseded during the life of the Stove - please refer to [www.solutionfires.co.uk](http://www.solutionfires.co.uk) for up-to-date instructions.




The product complies with the European Safety Standards EN60335-2-30 and the European Standard Electromagnetic Compatibility (EMC) EN55014, EN60555-2 and EN60555-3. These cover the essential requirements of EEC Directives 2006/95/EC and 2004/108/EC

## Contents

Important Safety Advice.....	03
Operating Instructions.....	05
Product Specification.....	08
Technical Parameters.....	09
Cleaning.....	10
Thermal Safety Cut-Out.....	10
Light Emitting Diode.....	10
Battery Replacement Remote Control.....	10
Troubleshooting.....	11
Servicing and Maintenance.....	12
Correct Disposal of this Product.....	12
Solution Fires Warranty.....	12

## Important Safety Advice

**When using electrical appliances, basic precautions should be followed to reduce the risk of fire, electric shock, and injury to persons, including the following:**

- **WARNING:** If the appliance is damaged, check immediately with your retailer before installation and operation. The heater must not be used if any part of it is damaged.
- Do not use outdoors.
- **WARNING:** In order to avoid overheating, do not cover the heater.
- The appliance carries the Warning Symbol indicating that it must not be covered or has a do not cover label. Do not cover or obstruct in any way the heat outlet grille located under the appliance. 
- Do not place material or garments over the front of the appliance as this could cause overheating and a fire risk.
- In the event of a fault unplug the heater.
- Unplug the appliance when not required for long periods.
- This appliance can be used by persons if they have been given instruction concerning use of the appliance in a safe way or are supervised and understand the hazards involved.
- This appliance can be used by children aged from 8 years and above and persons with reduced physical, sensory or mental capabilities or lack of experience or knowledge if they have been given instruction or supervision concerning use of the appliance in a safe way and understand the hazards involved.
- Children shall not play with the appliance. Cleaning and user maintenance shall not be carried out by children without adequate supervision.
- Children of less than 3 years should be kept away from the appliance unless continuously supervised.
- Children aged from 3 years and less than 8 years shall only switch on/off the appliance provided that it has been placed or installed in its intended normal operating position and they have been given instruction or supervision concerning use of the appliance in a safe way and understand the hazards involved.
- Children aged from 3 years and less than 8 years shall not plug in, regulate or clean the appliance or perform user maintenance on the appliance.
- If the supply cord is damaged, switch off the mains power at the wall socket immediately.
- **WARNING:** The heater must not be positioned immediately below, above or in front of a fixed socket outlet or electrical connection box.
- **WARNING:** Do not use this heater in small rooms when they are occupied by persons not capable of leaving the room on their own, unless constant supervision is provided.
- **CAUTION:** In order to avoid a hazard due to inadvertent resetting of the thermal cut-out, this appliance must not be supplied through an external switching device, such as a timer, or connected to a circuit that is regularly switched on and off by the utility.
- **CAUTION:** Some parts of this appliance around the heater grill can become very hot and cause burns. Particular attention has to be given where children and vulnerable people are present.
- The heater must not be positioned or used where it may come into contact with water, for example but not exclusively, in wet rooms, bathrooms, swimming pools, laundries or used to dry clothes.
- Do not use the appliance in rooms with explosive gas (e.g. petrol) or while using inflammable glue or solvent (e.g. when gluing or varnishing parquet floors, PVC etc.)
- Do not insert any objects into the appliance.
- This appliance must be connected to a 220-240VAC 50-60Hz supply.
- If the supply cord is damaged, it must be replaced by the manufacturer, its agent or a similarly qualified person in order to avoid a hazard.

- This appliance is supplied with a power lead complete with a moulded 13 Amp UK three-pin plug to connect into a standard UK socket outlet. This appliance must be earthed. The plug must be easily accessible after siting the appliance. Should a new fuse be required, consult a competent person to establish the reason for the fuse operating. Only once the fault is rectified should a new 13A fuse be inserted into the plug.
- Use only a dry duster or vacuum cleaner with brush attachment to clean the appliance. Never use abrasive cleaners, water, steam cleaners or aerosols on or near the appliance.
- Only control the appliance using the manual operations or the supplied remote control described in this manual. Do not use this heater with a programmer, timer, separate remote control system or any other device that switches the heater on automatically.
- The supply cord must be placed on the right hand side or behind the heater, away from the heat outlet underneath the appliance.
- **CAUTION:** Although this appliance complies with safety standards, we do not recommend its use on deep pile carpets or on long hair type of rugs.

#### Remote Control Battery Warning:

Only adults should handle the batteries. Do not allow a child to use the remote control unless the battery cover is securely attached to the battery compartment. All batteries must be disposed of at your local recycling point.

#### Box Contents:

Please check that the following components are included within the box. If anything is missing or damaged, please contact the retailer and do not use the appliance until you have everything.

- Appliance with trailing lead with moulded 13 Amp plug.
- Remote control hand-set and batteries.
- Instruction Manual.
- 4x bags of crystals.
- Products with Premium Log Set also include a bag of wood chippings.

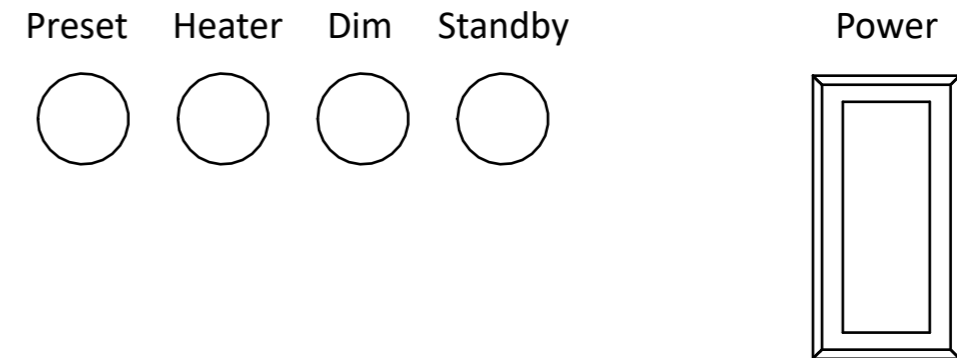
#### General Notes:

- Use care when unpacking the appliance and retain the packaging for possible future use, in the event of moving or returning the fire to your supplier.
- This model is designed to be free standing and is normally positioned against a wall.
- This model incorporates a flame effect, which can be used with or without heating, so that it may be enjoyed at any time of the year. The flame effect on its own requires little electricity.
- The built-in fan provides a choice of 1kW or 2kW heat output and is located at the bottom of the unit.
- Before connecting the heater check that the intended socket provides 13 amps, 240 volts, and is capable of accommodating a maximum load of 2050 watts. The socket must be accessible at all times and must not be placed directly behind the unit.
- Within the box can be found a choice of crystals. These can be placed on top of the fuel bed, as required.
- **PLEASE NOTE:** When used in a very quiet environment, it may be possible to hear a sound which is related to the operation of the flame effect. This is normal and should not be a cause for concern.

## Operating Instructions

#### Manual Control:

This appliance can be operated manually using the controls situated inside the door, below the fuel bed.



- **POWER ON/OFF SWITCH:** This rocker switch, located on the right hand side of the controls, is used to switch the mains supply to the appliance on or off. When the switch is in the ON position an orange indicator light will show in the top left of the screen. This needs to be in the ON position for both manual and remote operation.
- **PRESET:** This button will cycle through a selection of pre-programmed effects.
- **HEATER:** This button will select low heat, high heat or heater off. When low heat is selected the indicator light will glow orange. When high heat is selected the indicator light will glow red. Please note that the heater will only operate when the room temperature is below the temperature on the handset display. Temperature can be adjusted using the remote handset. When the heater switches off the fan will continue to run to cool the appliance.
- **DIM:** This button will cycle through the four different flame brightness levels.
- **STANDBY:** Used to switch the appliance ON or OFF (standby mode).

#### Remote control:

Remove the battery cover by sliding completely down and insert 2 x AAA batteries, ensuring the batteries are fitted correctly. Refit the cover by sliding back up to the original position. Please ensure old batteries are disposed of responsibly at your local recycling point

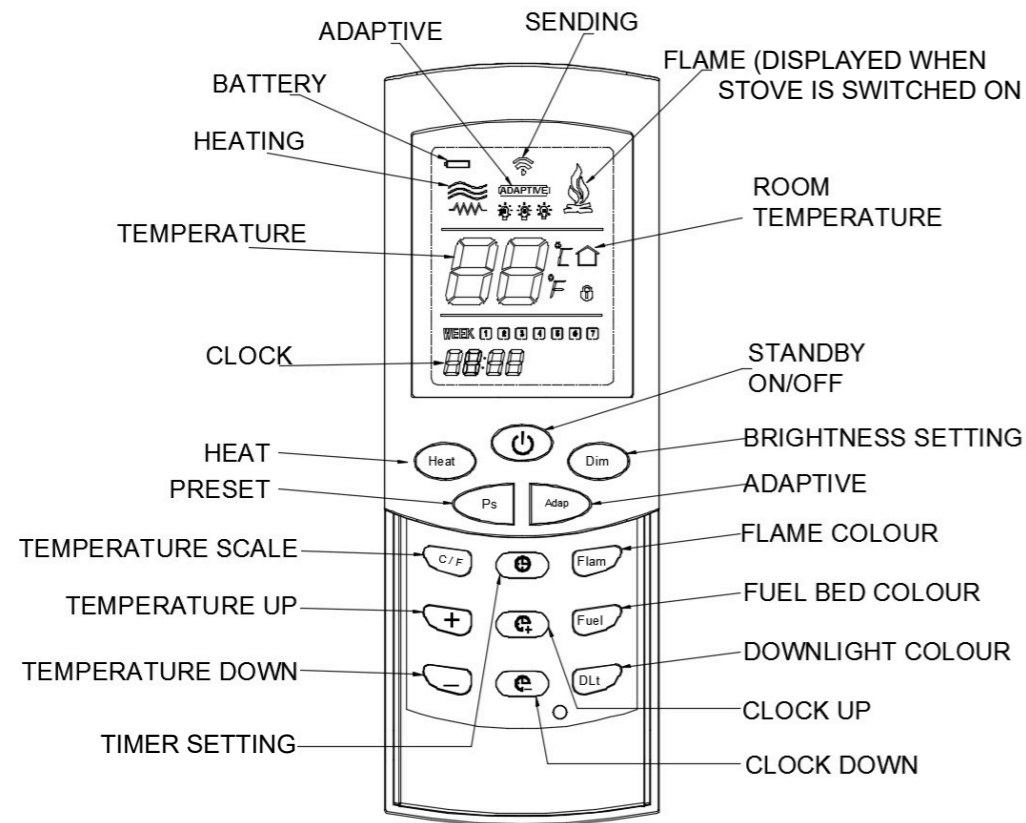
Ensure that the ON / OFF Power Switch on the fire is in the ON position.

Point the remote-control handset directly towards the fire and press the appropriate button to operate the fire...

## Operating Instructions

### Remote control:

Sliding the door down on the remote control will reveal the Smart Control panel which offers additional functions. Otherwise using the basic remote buttons will operate the fire in the same way as the manual control buttons.



### Smart Control Functions:

The Smart control panel reveals additional buttons to allow the following functions

- Set the time of day
- Thermostatic temperature adjustment from 16 to 30°C
- Set 7-day timer with up to 1 program
- Turn Off and Clear timer settings

### Setting the Time:

1. Press and hold the  $\odot$  button, which will initiate blinking of the day cursor. Using the  $\odot$  button, set the current day, e.g. Monday = 1, Tuesday = 2, Wednesday = 3 etc. Press **C/F** button to confirm the required day.
2. The hour setting will now be blinking; adjust using the  $\odot$  or  $\odot$  button to the desired hour and confirm using the **C/F** button.
3. The minute setting will now be blinking; adjust using the  $\odot$  or  $\odot$  button to the desired hour and confirm using the **C/F** button.

### Adjusting the Target Temperature:

Whilst the fire is switched on, use the "+" or "-" to set the desired room temperature. A confirmation beep will be heard from the fire. If the room is already warmer than the temperature set then the heater will switch off until the thermostatic sensor detects a fall in temperature.

**IMPORTANT NOTE: The remote handset continues to display temperature and time, even when the unit is switched off.**

## Operating Instructions

**IMPORTANT NOTE: To switch Heating function on with Timer function, the target temperature must be set above room temperature, before setting timer.**

### Setting the Timer function:

The timer function allows the stove to be programmed for automatic use over a 7 day period.

1. Press the  $\odot$  button to display the first timer, and then press the **C/F** button to adjust Timer program.

### Set Time ON:

1. The hour setting will now be blinking; adjust using the  $\odot$  or  $\odot$  button to the desired hour and confirm using the **C/F** button.
2. The minute setting will now be blinking; adjust using the  $\odot$  or  $\odot$  button to the desired hour and
3. confirm using the **C/F** button.

### Set Days:

1. The day cursor will now be blinking, adjust days using the  $\odot$  or  $\odot$  and the select using "+" button, deselect using "-" button. Once you have set all the required days for the timer, press the **C/F** button to confirm.

### Set Time OFF (this must be at least 30 minutes after the ON time)

1. The hour setting will now be blinking, adjust using the  $\odot$  or  $\odot$  button to the desired hour and confirm using the **C/F** button.
2. The minute setting will now be blinking, adjust using the  $\odot$  or  $\odot$  button to the desired hour and confirm using the **C/F** button.
3. A confirmation beep will be heard from the fire to confirm Timer program is now set.

### Switch off and clear Timers

When the timer icon is displayed on the remote control handset, the timer function is active. To switch off the timer function and clear all timer programmes press the  $\odot$  button for 3 seconds. A beep will be heard from the fire as confirmation.

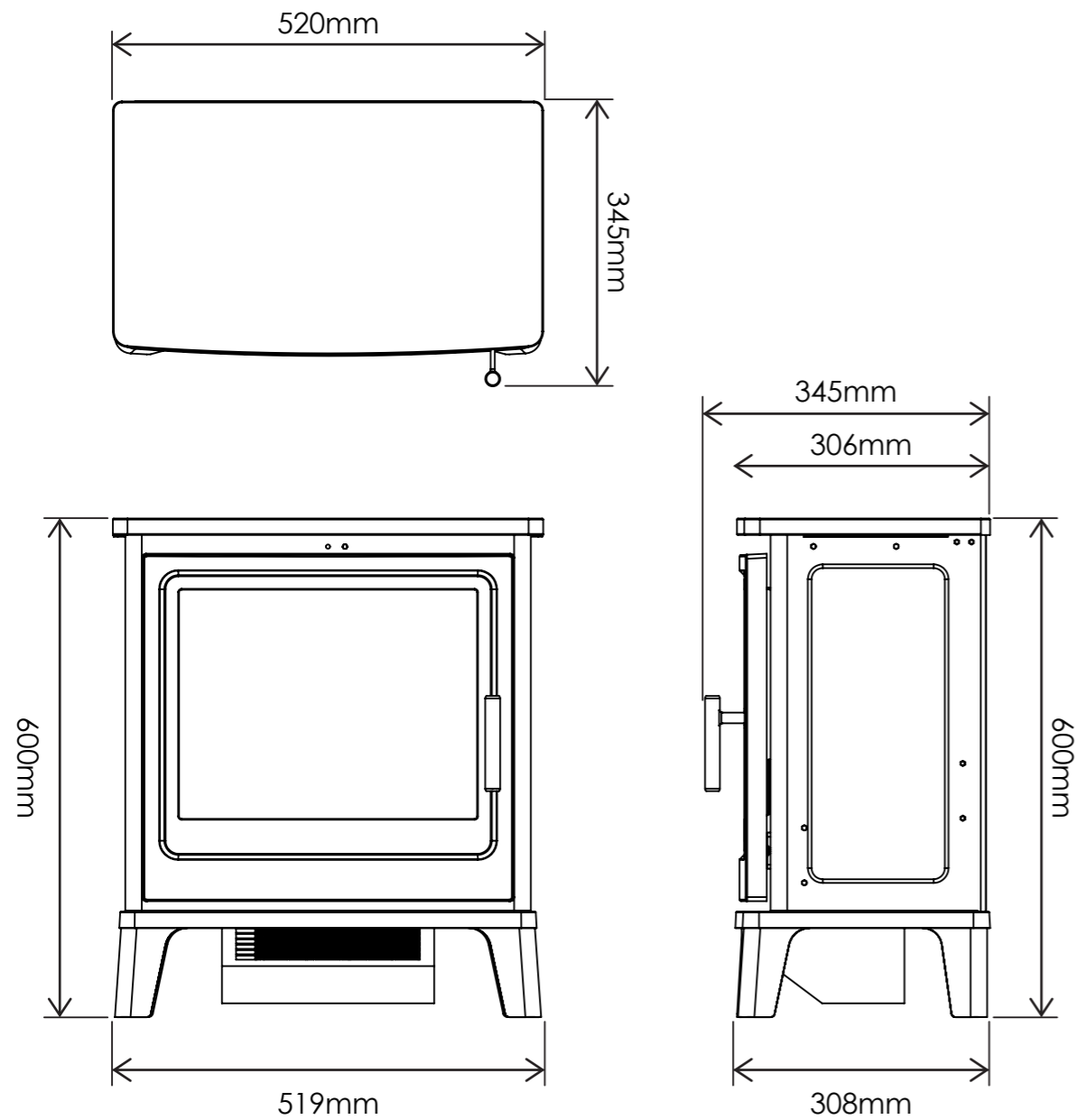
### Adaptive Control

Adaptive control works in conjunction with the timer programmes. When Adaptive Control is turned ON, the fire monitors the room temperature in relation to the selected target temperature. If the room temperature is sufficiently lower than the selected temperature, Adaptive Control will instruct the fire to switch on, up to 10 minutes earlier than the set time to ensure the room is at the required temperature at the set time.

**PLEASE NOTE: Adaptive control moves the entire program forward, up to 10 minutes earlier. This means the 'Off' time will also be adjusted.**

**IMPORTANT NOTE: If a confirmation beep is not heard after setting the timers or Adaptive Control then turn the fire ON and OFF using the remote to ensure that the latest settings have been sent to the fire. All settings will be lost from the fire if disconnected from the mains or switched off at the power switch on the fire. Again, using the remote to turn the fire ON and OFF will ensure the settings are sent to the fire.**

## Product Specification



## Technical Parameters

Information requirements for electric local space heaters

Model identifier(s): S53 Stove					
Item	Symbol	Value	Unit	Item	Unit
<b>Heat output</b>				<b>Type of heat input, for electric storage local space heaters only (select one)</b>	
Nominal heat output	$P_{nom}$	2.0	kW	manual heat charge control, with integrated thermostat	[N/A]
Minimum heat output (indicative)	$P_{min}$	1.0	kW	manual heat charge control with room and/or outdoor temperature feedback	[N/A]
Maximum continuous heat output	$P_{max,c}$	2.0	kW	electronic heat charge control with room and/or outdoor temperature feedback	[N/A]
Auxiliary electricity consumption				fan assisted heat output	[N/A]
At nominal heat output	$eI_{max}$	0.0	kW	<b>Type of heat output/room temperature control (select one)</b>	
At minimum heat output	$eI_{min}$	0.0	kW	single stage heat output and no room temperature control	[no]
In standby mode	$eI_{sb}$	0.0004	kW	Two or more manual stages, no room temperature control	[no]
				with mechanic thermostat room temperature control	[no]
				with electronic room temperature control	[yes]
				electronic room temperature control plus day timer	[no]
				electronic room temperature control plus week timer	[no]
				<b>Other control options (multiple selections possible)</b>	
				room temperature control, with presence detection	[no]
				room temperature control, with open window detection	[no]
				with distance control option	[no]
				with adaptive start control	[no]
				with working time limitation	[yes]
				with black bulb sensor	[no]
Contact details	Capital Fireplaces Ltd, Units 12-17 Henlow Trading Est, Henlow, Bedfordshire SG16 6DS				

<b>Voltage</b>	220-240V AC ~50-60 Hz
<b>Max Power</b>	1700-2000W
<b>No Heater</b>	10W
<b>Motor Heater</b>	12W
<b>Gross Weight (kgs)</b>	22Kg
<b>Efficiency Rating</b>	A

## Cleaning

**NOTE:** Allow the fire to completely cool before cleaning it.

1. Switch off and unplug from the power supply before cleaning.
2. Using a soft, dry cloth, carefully clean the exterior surface of the product.
3. Do not allow water or other liquids to run into the interior of the product, as this is a hazard.
4. Lightly run a vacuum cleaner nozzle over the grills along the control panel to remove any dust or dirt that may have accumulated inside or on the unit.

**CAUTION: Do not use harsh detergents, chemical cleaners or solvents as they may damage the surface finish of the plastic components.**

## Thermal Safety Cut-Out

A thermal safety cut-out is incorporated in the heater to prevent damage due to overheating. This can happen if the heat outlet is restricted in any way. The heater will switch on once the heater has cooled. If the cut-out continues to operate intermittently, the heater should be switched off and a service agent contacted.

## Light Emitting Diode

This fire is fitted with LED's (Light Emitting Diodes) in place of traditional incandescent bulbs. These generate the same light levels as traditional bulbs, but use a fraction of the energy consumed.

## Battery Replacement Remote Control

**Battery information - see Fig. 35**

1. Slide open the battery cover on the back of the remote control
2. Install AAA batteries into the remote control
3. Replace the battery cover



Fig.35

### Discard leaky batteries

Dispose of batteries in the proper manner according to local regulations.

Any battery may leak electrolyte if mixed with a different battery type, if inserted incorrectly, if all the batteries are not replaced at the same time, if disposed of in a fire, or if an attempt is made to charge a battery not intended to be recharged.

## Troubleshooting

*(IF IN DOUBT isolate the appliance and seek professional advice)*

### The unit does not switch on:

- Check main power on/off switch is on and orange light on flame screen illuminates.
- Check the battery in the remote control handset.
- If none of the above work, then please refer to your retailer.

### The heater smells of burning:

- On first uses there may be a smell as the heating elements burn off residual deposits from manufacture.
- After periods of no use, dust can settle on the elements and will burn off. Excessive dust and fluff is a fire risk and should be eliminated by following the service and maintenance steps on page 12.
- If smell continues, please refer to your retailer.

### When the heater is switched on it cuts itself off.

- This could be the normal operation of the thermostat having been set to a target temperature which has been reached, and is fine.
- This could be the safety thermal cut-out device operating. If this operates, then firstly isolate the appliance from the mains and then check for obstructions to the air flow and remove them. This could be fluff in the vent grilles, for example. Once the obstruction(s) have been removed, let the appliance cool down for 15 minutes and then reconnect the appliance to the mains and try the appliance again. If the issue persists, then seek the advice of your retailer.
- As an additional safety feature, the heater will turn off after 12 hours continuous operation in case it has been left on by mistake.

### Stove fire sounds

- Your fire will make some sounds during normal operation. There are three sources of sound:
  1. **Switch/thermostat** - During operation they will make quiet clicking sounds and will occur when your heater fan and heating elements are switched on or off.
  2. **Flame Effect** - To ensure you experience a slow and relaxed flame effect speed, the electric motor provides its drive via an internal gearbox that will emit a very faint gear noise.
  3. **Fan Heater** - just like any fan heater there will be the sound of air being blown into the room.

### The thermostat reading on the screen does not match the room temperature.

- The thermostat reading is of the ambient temperature in the immediate vicinity of the remote handset. It may be necessary to set a higher target temperature in some instances. In some cases it may be more suitable to turn on the heating element(s) without setting a target temperature – see heater instructions.

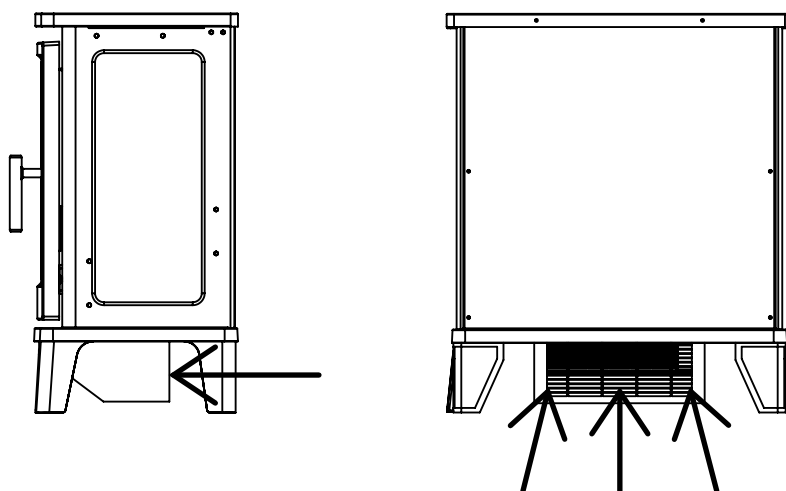
## Correct Disposal Of This Product

This marking indicates that this product should not be disposed with other household wastes throughout the EU. To prevent possible harm to the environment or human health from uncontrolled waste disposal, recycle it responsibly to promote the sustainable reuse of material resources. To return your used device, please contact the retailer where the product was purchased. They can take this product for environmental safe recycling.



## Servicing and Maintenance

- There are no user-serviceable components to this appliance – do not attempt to service the appliance. If there are issues that cannot be resolved with your appliance, then please contact your retailer.
- Hard floor covering in particular, but all floor covering cause fluff that can be drawn into the air intakes. From time-to-time and no less than every two months, isolate the fire from the mains and attach the brush accessory to your vacuum cleaner and gently vacuum the air intakes and outlets. (See image below)
- Use only a clean dry duster to clean the surfaces of the appliance. DO NOT use water, abrasive cleaners, steam or other household industrial products or cleaners.



### Solution Fires Warranty

For Warranty information, terms and conditions and to register for an extended Warranty please scan the QR code below. Alternatively please visit [www.solutionfires.co.uk/warranty/](http://www.solutionfires.co.uk/warranty/)



[www.solutionfires.co.uk](http://www.solutionfires.co.uk)  
[info@solutionfires.co.uk](mailto:info@solutionfires.co.uk)  
CAPITAL FIREPLACES LTD, Unit 12-17  
Henlow Trading Estate,  
Henlow Camp, Bedfordshire, SG16 6DS. UK.