



## Solstice Basket Installation Instructions

### INTRODUCTION:

1. **PLEASE LEAVE THESE INSTRUCTIONS WITH THE END USER.**
2. **This kit is must be installed by a competent person. THIS IS NOT A DIY INSTALLATION.**
3. **The Solstice Basket is suitable only for Solution Fires LUX75.**

### SOLSTICE BASKET KIT CONTENTS:

- A. Basket front and sides with adjustable feet pre-fitted.
- B. Ash Pan Cover with pre-fitted handle and felt pad.
- C. Fuel bed blanking plates.
- D. Flame picture blanking felt.

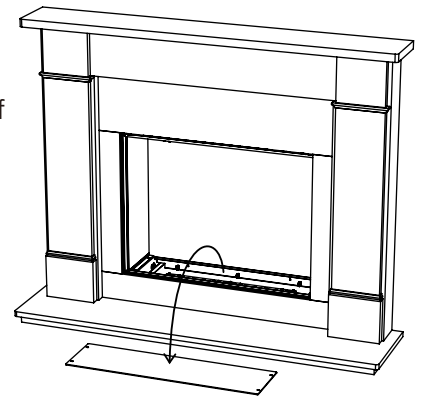
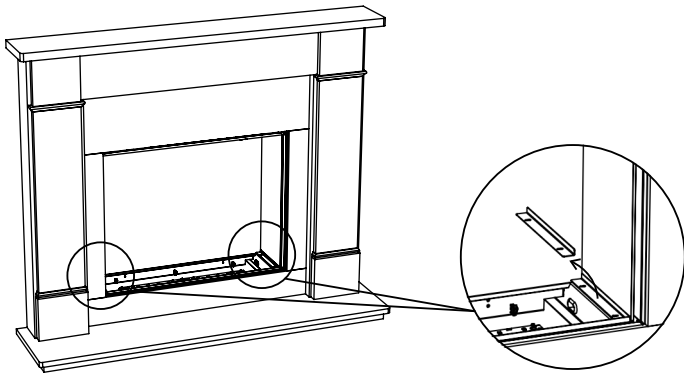
### WARNING:

Ensure mains power to Fireplace is **SWITCHED OFF** before installing the Solstice Basket.

### INSTALLATION

**REFER TO YOUR SOLUTION FIRE INSTRUCTIONS TO REMOVE FRONT GLASS.**

1. Remove the screws at each end of the fuel bed. Use the tab on the right side of the fuel bed to lift out.

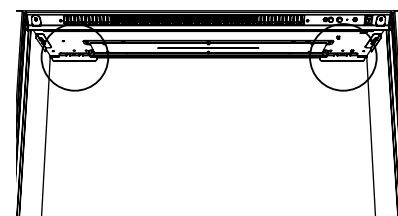
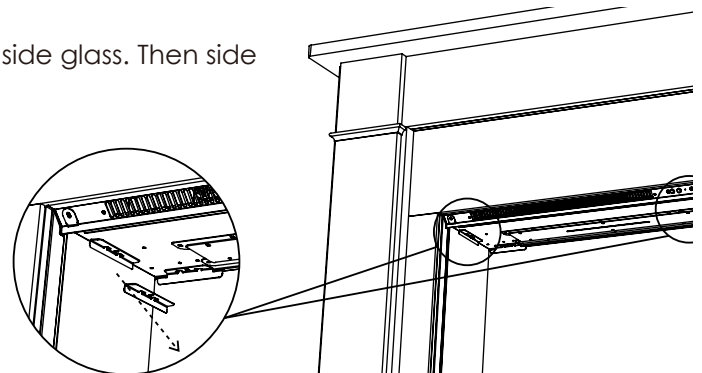


2. Remove the screws at each end of the glass retaining brackets and lift out.

3. Remove the screw and bracket that holds the top of the side glass. Then side glass can be lifted out.

**Remove glass on both sides.**

**Remove screws**

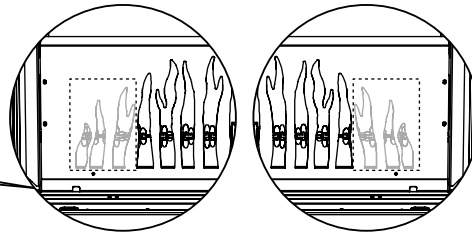
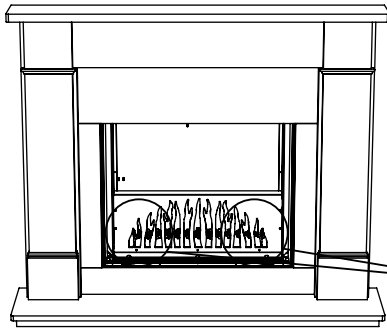
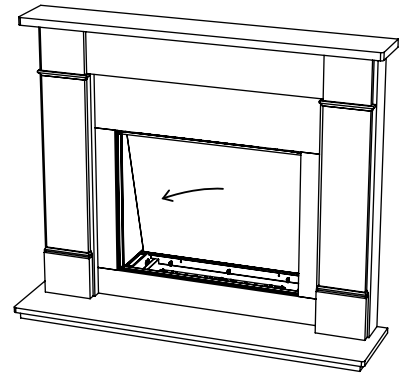


4. Remove the screws and brackets that holds the top of the flame screen glass, in the same way as the side glass.

**Remove both brackets.**

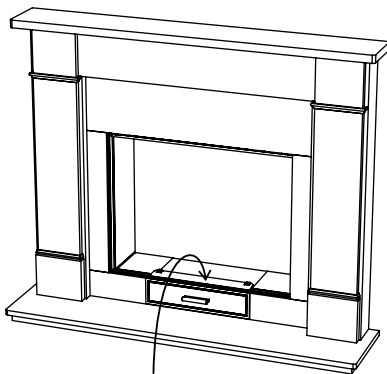
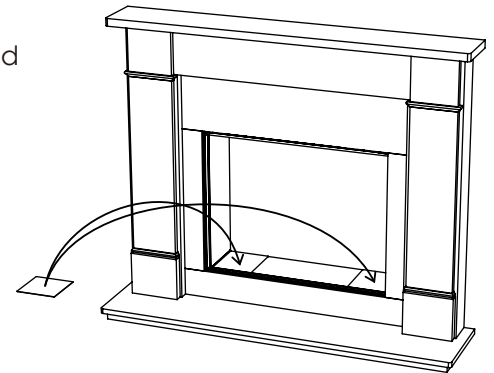


- Remove the flame screen glass by using provided vacuum sucker. With the handle pulled open, place the rubber suction pad in the centre of the glass. Whilst keeping slight pressure on the handle, close the two sections together. Carefully raise up the glass and pull out.



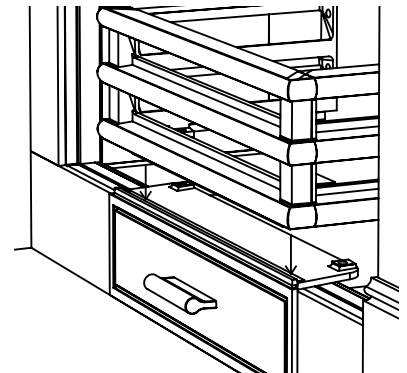
- Once the flame screen glass is removed, peel backing sheet from the adhesive felt and affix on **left and right** sides of flame cut-out panel. Felt should cover 3 openings on **each side**.

- Replace flame screen glass. Then replace flame screen glass brackets and replace screws.
- Replace side glass. Then replace side glass brackets and replace screws.
- Replace fuel bed and replace screws.
- Replace long front steel cover at the bottom of the front glass screen.
- Add fuel bed blanking plates on each side of the fuel bed.

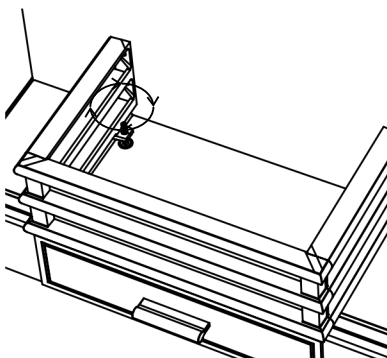


- Align basket centrally on the fuel bed.

- Align basket with slot on the top of the ash pan cover.



- Adjust the feet to level the basket. The feet can be adjusted by hand, or a slotted screwdriver from the top.



- Position the 'dogs' on either side of the Solstice Basket.
- Arrange the logs to suit individual preferences.
- Front glass and glass top retainers should be safely stored or recycled.

