



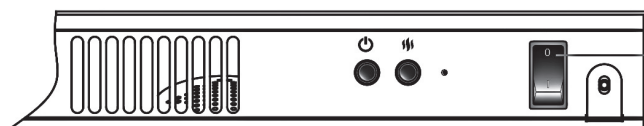
## Scene Light Kit Installation

The Scene Light Kit is suitable only for Solution Fires Models SLE75, SLE100, SLE150 and SLE150.

The kit components include:

- A 4x1200mm extension cables-Rectangular Connecters;
- B 1x150mm cables-Fire Connector to Rectangular Connecters;
- C 2x230mm splitter cable-Rectangular Connecters;
- D 2x1000mm LED Strips;
- E 2x500mm LED Strips;
- F 4x250mm LED Strips;
- G Strips retainers and screws;

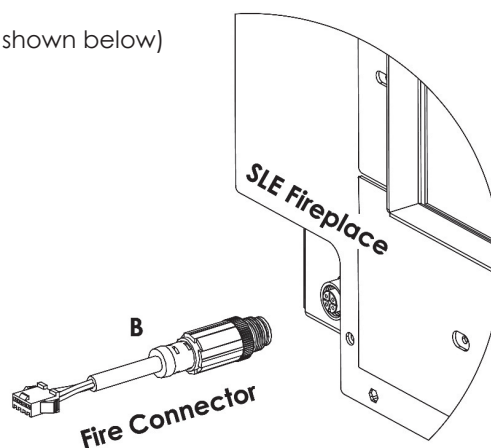
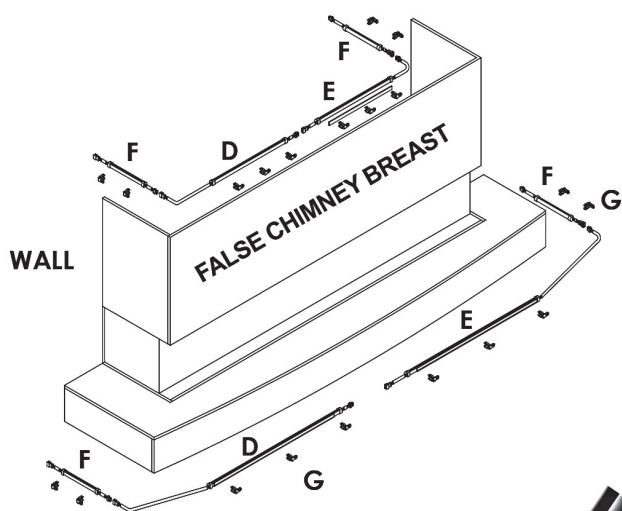
**WARNING:** Before connecting the Scene Lights to the SLE Fireplace, turn the Manual ON/OFF Switch to Position "O".



MANUAL ON/OFF SWITCH

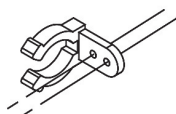
Follow the steps below for installation:

**STEP 1** Work out the arrangement of lights. (An SLE150 example is shown below)



**STEP 2** Have a "dry run" to check it all works as planned in the space and dimensions of your particular arrangement.

**STEP 3** Screw the retaining clips provided strategically along the path of the LED strips - 2 per short strip and at least 3 per long strip are recommended.



**STEP 4** Fit fire and peel off the protective covering to the double-sided tape and secure in position using the double-sided tape and the retaining clips.

**WARNING:** Take care not to trap or pinch any connector or LED strip as this will damage the lights.

